

# HDE 2020-D Digital Tourguide stethoset receiver

## FEATURES

- Digital RF signal reception
- Intuitive operating concept
- 8 hours battery life
- Sturdy earbows
- Backlit LC display
- Large rotary volume control

The HDE 2020-D stethoset TourGuide receiver is comfortable to wear and integrates both the receiver and headphones. The powerful battery ensures up to 8 hours operating time. The stethoset receiver automatically deactivates itself the moment that it is taken off, thus battery life will be preserved. Tour participants will be able to individually adjust the volume through a rotary control on the receiver, without the need to even take the device off. The LC display provides information of volume, battery status, quality of reception and the channel being listened to. Channels can easily be set and adjusted by using the middle buttons.



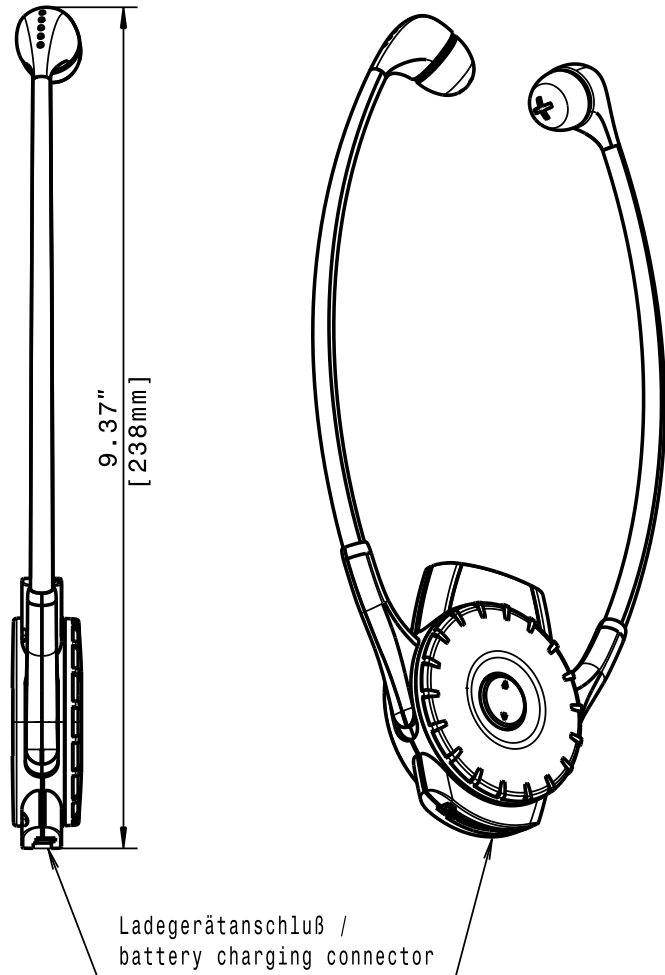
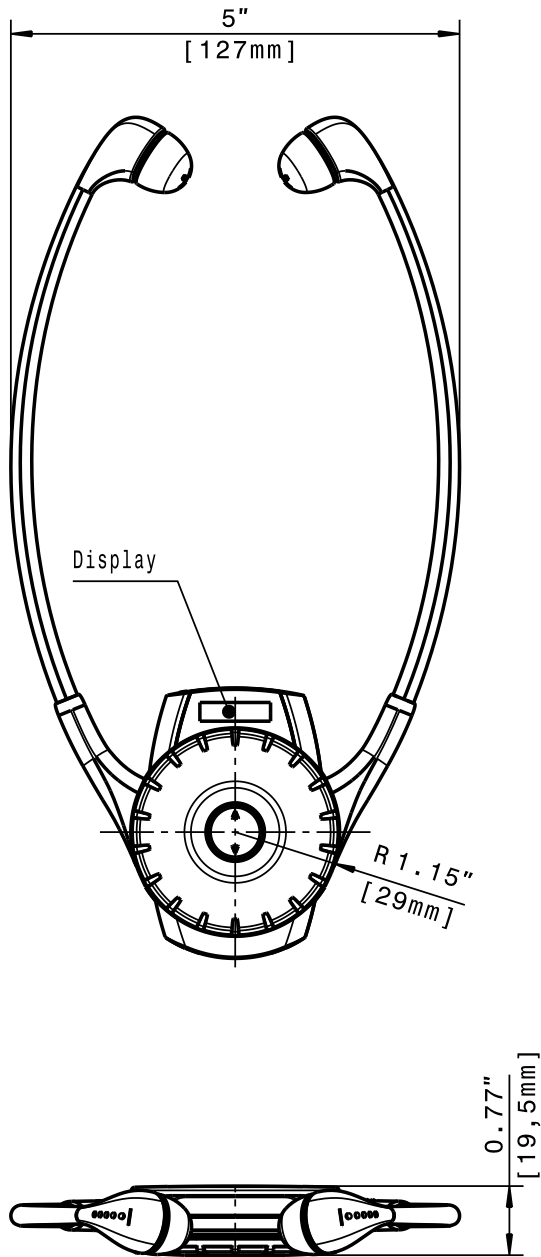
## ARCHITECT'S SPECIFICATIONS

## TECHNICAL DATA

Modulation:.....	2 FSK
RF frequency range .....	863 - 865 MHz 926 - 928 MHz (US-Version)
Number of channels (tourguide mode) .....	6
Number of channels (conference mode) .....	8
Frequency response .....	100 – 7,000 Hz
Sound pressure level .....	120 dB SPL at 1 kHz
THD at 1 kHz.....	< 1 %
Typical operating time.....	8 hrs
Lithium polymer battery .....	830 mAh
Operating temperature .....	0 – 50 °C
Dimensions .....	245 x 125 x 20 mm (9.65" x 4.92" x 0.79")
Weight incl. Battery .....	70 g (2.47 oz)
Delivery includes.....	HDE 2020-D (10 pcs), Manual

# HDE 2020-D Digital Tourguide stethoset receiver

## DIMENSIONS



## PRODUCT VARIANTS

HDE 2020-D	Cat. No. 500543
HDE 2020-D US	Cat. No. 500544

## RECOMMENDED ACCESSORIES

EZL 2020-20	Cat. No. 500542
L2021-40	Cat. No. 502037
Earbuds, black, 5 pairs	Cat. No. 531435
Earbuds, luminescent, 5 pairs	Cat. No. 520379

Sennheiser electronic GmbH & Co. KG  
 Am Labor 1, 30900 Wedemark, Germany  
[www.sennheiser.com](http://www.sennheiser.com)