

ADN-W AM

Antenna module

FEATURES

- Reliable wireless operation in the 2.4 GHz and 5 GHz frequency bands
- Omnidirectional diversity antennas
- 30 m (100 ft) coverage radius
- Powered via ADN bus or NT 12-50C DC power supply
- Rugged metal housing
- Unobtrusive design and color for smooth room integration
- Several mounting options: ceiling, wall, tripod, table

The **ADN-W AM** antenna module is designed to ensure reliable wireless bidirectional communication with the ADN-W D1 and C1 wireless conference units in both the 2.4 GHz and the 5 GHz frequency band. The antenna module easily connects to the ADN CU1 central unit via the ADN bus cable. The ADN-W AM features a built-in 5/8" mounting thread (with a 3/8" thread insert) that allows easy mounting on walls or ceilings.



ARCHITECT'S SPECIFICATIONS

An antenna module designed to ensure reliable wireless bidirectional communication with the ADN-W D1 and ADN-W C1 wireless conference units. The antenna module shall operate in both the 2.4 GHz and the 5 GHz frequency band. Connection of the antenna module to the ADN CU1 central unit shall be via the ADN bus cable. The antenna module shall feature 3 omnidirectional rod antennas with a coverage area of 30 m (100 ft) radius. RF output power shall be adjustable from 25 to 100 mW. The antenna module shall either be powered via the ADN bus (52.8 V) or operate on 12 to 15 VDC supplied from the NT 12-50C power supply. Power consumption shall be 6 W. The antenna module shall have a built-in 5/8" mounting thread (with a 3/8" thread insert) for easy mounting on walls or ceilings. The antenna module shall have a rugged metal housing; dimensions shall be 226 x 181 x 58 mm (8.9" x 7.13" x 2.28"). Weight shall be approximately 1,660 g (3.66 lbs). The operating temperature shall range from 5 °C to 45 °C (41 °F to 113 °F) and the operating relative humidity shall be from 20 to 95 percent. The antenna module shall be the Sennheiser ADN-W AM.

TECHNICAL DATA

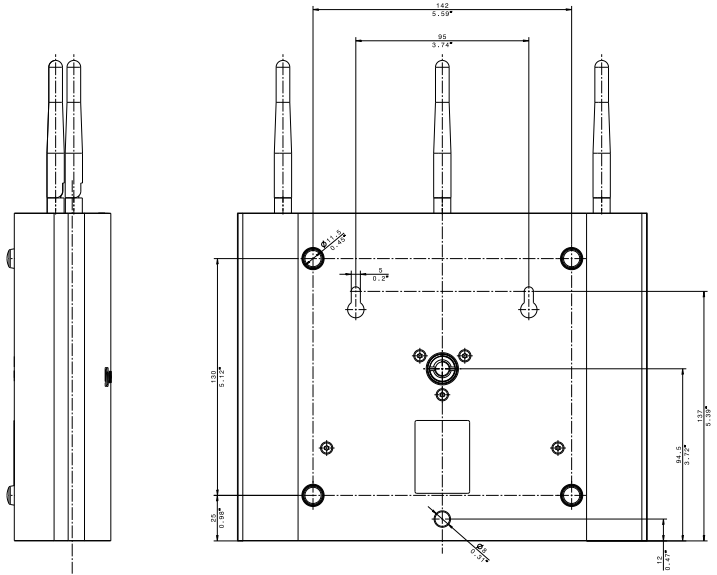
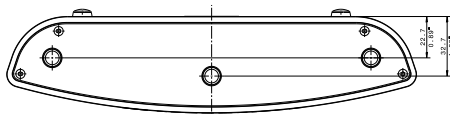
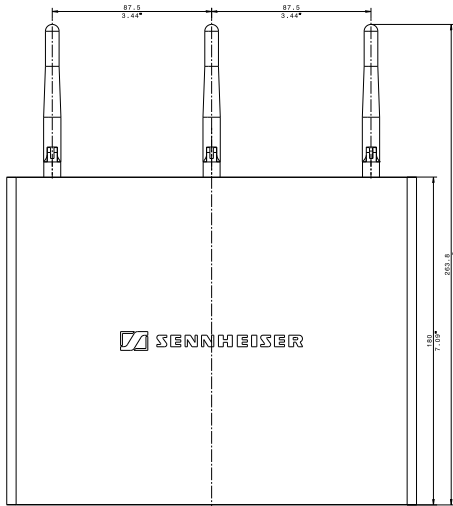
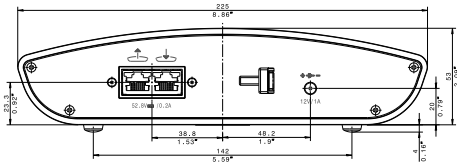
SYSTEM	
Frequency range	2.4 / 5.1 to 5.9 GHz
RF output power	25 to 100 mW
Antennas	3 rod antennas (omnidirectional) with R-SMA connector
Coverage area	30 m (100 ft) radius
Power supply.....	12 to 15 VDC or, alternatively, via ADN bus (52.8 V)
Power consumption.....	6 W
Mounting thread	5/8" and 3/8" insert
Dimensions (W x H x D)	226 x 181 x 58 mm (8.9" x 7.13" x 2.28")
Weight.....	approx. 1,660 g (3.66 lbs)
Operating temperature range.....	5 °C to 45 °C
Operating relative humidity	20 to 95 %

DELIVERY INCLUDES

- ADN-W antenna module
- SDC CBL RJ45-5 system cable (length: 5 m)
- Quick guide

ADN-W AM Antenna module

DIMENSIONS



PRODUCT VARIANTS

ADN-W AM-US

505715

RECOMMENDED ACCESSORIES

- SDC CBL RJ45-10 – CONFERENCE BUS CABLE 10M Art.No: 009845
- SDC CBL RJ45-2 – CONFERENCE BUS CABLE 2M Art.No: 009842
- SDC CBL RJ45-20 – CONFERENCE BUS CABLE 20M Art.No: 009846
- SDC CBL RJ45-3 – CONFERENCE BUS CABLE 3M Art.No: 009843
- SDC CBL RJ45-5 – CONFERENCE BUS CABLE 5M Art.No: 009844
- SDC CBL RJ45-50 – CONFERENCE BUS CABLE 50M Art.No: 009847

Contact your local Service Partner:

Sennheiser electronic GmbH & Co. KG
Am Labor 1, 30900 Wedemark, Germany
www.sennheiser.com

